

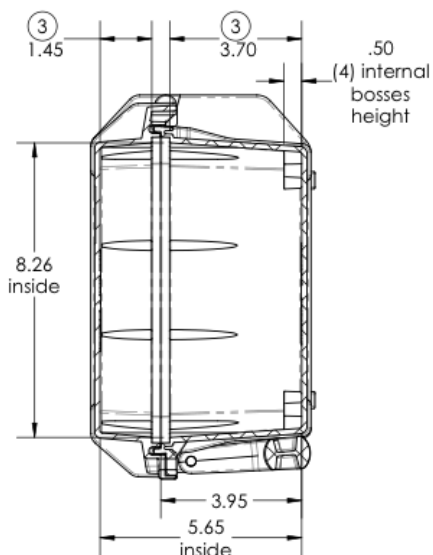
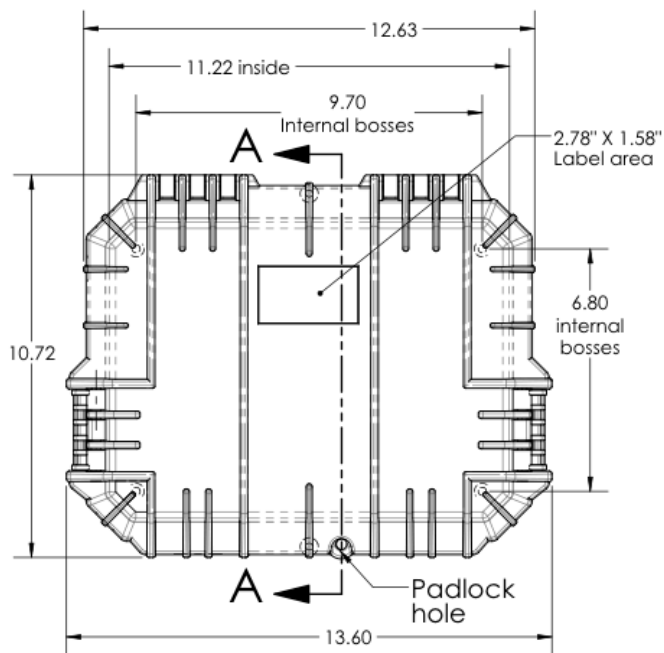
# SE430

# HARDERBACK

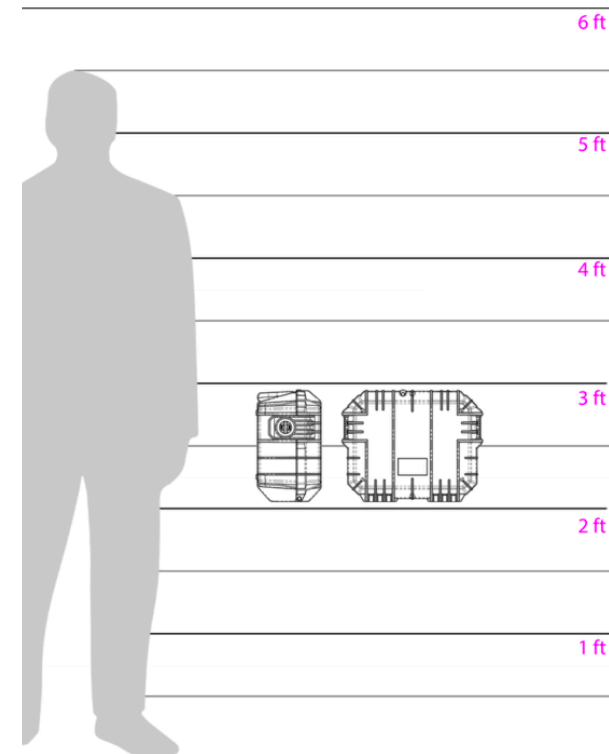
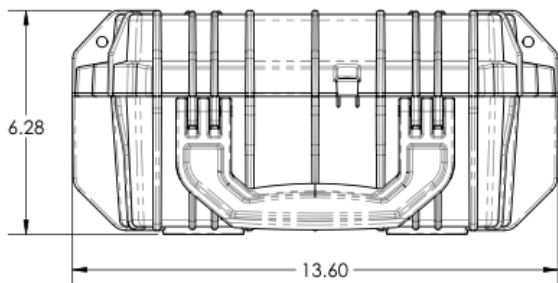
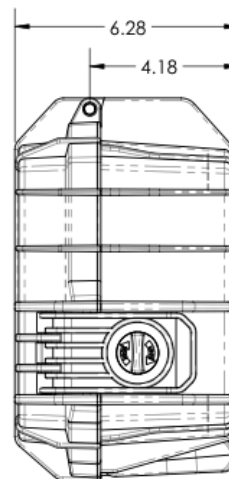
Maletas Industriales | Maletines Militares  
Estuches de Protección | Cajas Polipropileno  
Mochilas Resistentes | Cajas Biometricas



[ Draw ]



SECTION A-A  
SCALE 1 : 4



**NOTES:**

- 1) Max. usable inside dimensions are:  
11.22" X 8.26" X 5.65" (5.15" top of boss)  
dim. are approx.
- 2) Bosses on bottom use a 1/4 self tapping screw.
- 3) Dimensions to bottom of panel flange