

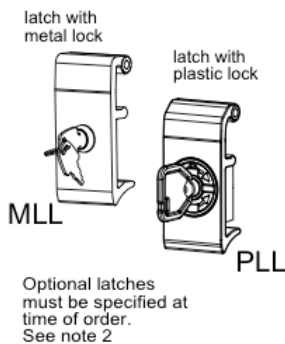
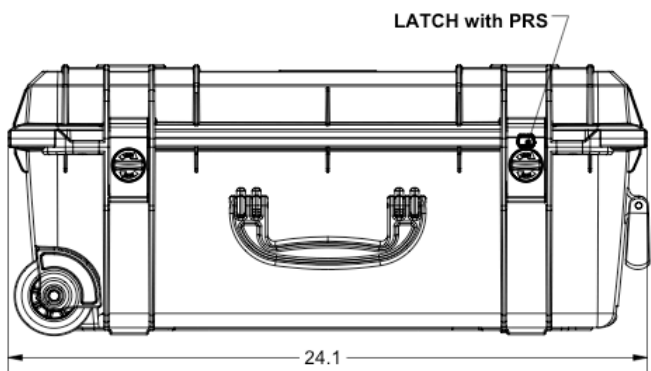
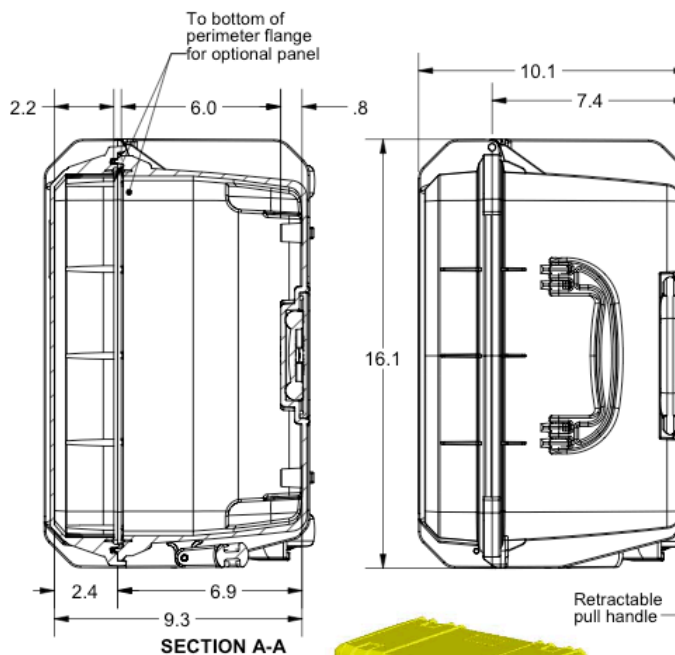
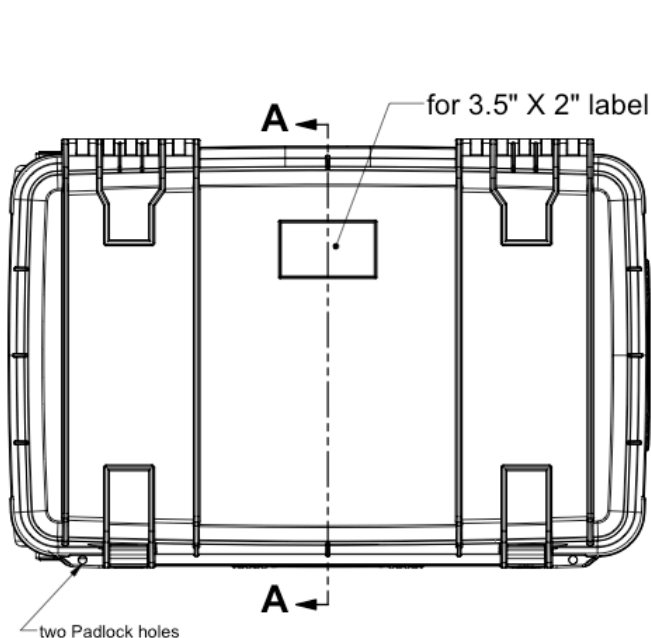
SE920

HARDERBACK

Maletas Industriales | Maletines Militares
Estuches de Protección | Cajas Polipropileno
Mochilas Resistentes | Cajas Biometricas



[Draw]



- 3" \varnothing Wheels (2)
- NOTES:**
- 1) Max. usable inside dimensions are:
22 1/8" X 13 1/2" X 8 1/2" (9 5/16" bottom of b
(22.1" X 13.5" X 8.5")
 - 2) With Metal Lock Latches p/n SE920ML
and Plastic Lock Latches p/n SE920PL
are optional.
 - 3) Bosses on bottom use a 1/4
self tapping screw.

